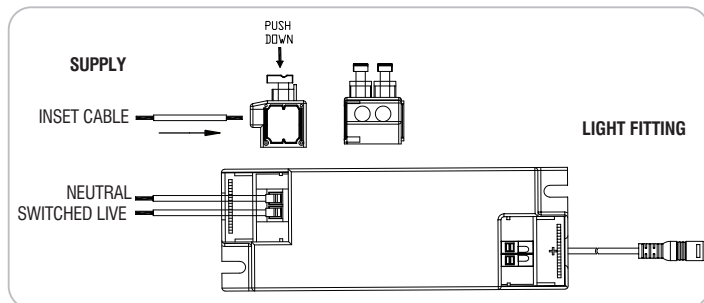


Wiring

Having correctly identified the wiring from your light fitting, pull the wire through the hole and connect to the connector block inside the LED driver in the following way:

This unit is double insulated and must not be earthed. If there are any incoming earth cables, they must be joined together and well insulated with good quality insulation tape. This is to ensure earth continuity throughout your property.



Check that...

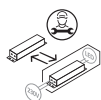
- You have correctly identified the wires.
- The connections are tight.
- No loose strands have been left out of the connection block.

Technical data

Supply Voltage: 220-240 V~, 50 Hz

Bulb Type: 90957--14W LED module (COB), 4000K This product contains a light source of energy efficiency class **E**.
90958--24W LED module (COB), 4000K This product contains a light source of energy efficiency class **D**.
90959--32W LED module (COB), 4000K This product contains a light source of energy efficiency class **E**.

  Non-replaceable light source



Replaceable control gear by a professional



Conformity with all relevant UKCA Directive requirements.



Conformity with all relevant EC Directive requirements.



The power supply is Double Insulated and does not require connection to an Earth circuit.



Waste electrical products should not be disposed of with household waste. Please recycle where facilities exist. Check with your Local Authority or local store for recycling advice.



This product is not suitable for dimming.

Care and Safety

We recommend cleaning with a soft dry cloth. Do not use solvents or abrasive cleaners as these could damage the finish. For your safety, always switch off the power supply before cleaning.

Always disconnect the product from mains at least 10 minutes allowing to cool down before any maintenance or adjustment.

For further information, please visit <https://www.lighting-info.co.uk/90957>

V2 20/12/2022

UK Manufacturer: BH17 7BY
EU Manufacturer: Brilliant AG,
Brilliantstrasse 1, D-27442 Gnarrenburg

saxby
lighting

Instruction manual

Alto Recessed

90957, 90958, 90959




www.saxbylighting.com

saxby
lighting

Thank you for purchasing this light fitting. Please read the instructions carefully before use to ensure safe and satisfactory operation of this product. Please retain these instructions for future reference.

Warning

 This power supply is Double Insulated and does not require connection to an Earth circuit.

Please read these instructions carefully before commencing any work

This unit must be fitted by a competent and qualified electrician.

Install in accordance with the IEE Wiring regulations and current Building Regulations.

Check the pack and make sure you have all the parts listed.

This system operates at Safety Extra Low Voltage, via the supplied LED driver, Never connect the light fittings directly to the mains without using the supplied LED driver.

Always disconnect the LED driver from the mains when installing or maintaining this system.

To prevent electrocution switch off at the mains supply before installing or maintaining this fitting. Ensure other persons cannot restore the electrical supply without your knowledge. If you are in any doubt, please consult a qualified electrician.

This light fitting should be connected to a fused circuit.

If replacing an existing fitting, make a careful note of the connections.

This system contains non-replaceable parts and cannot be serviced. If damage occurs the part should be scrapped.

Waste electrical products should not be disposed of with household waste. Please recycle where facilities exist. Check with your local authority or retailer for recycling advice.

Layout

Plan the desired layout of these fittings carefully, ensuring the cables will reach the distances between the LED Driver and each light fitting.

Ensure that there is adequate ventilation for the LED Driver.

Avoid locating any cables in positions that would cause a hazard. Position cables and junction boxes (not supplied) away from areas where they may be at risk from being cut, trapped or damaged.

The mains supply cable must have a minimum cross section area of 1.0mm².

Cables must be protected using suitable conduit or plastic trunking.

The unit must be located a minimum distance of 100mm from a joist.

The distance between units must be 0.5m minimum.

This product must be mounted out of arms reach.

Installation

Existing fittings must be completely removed before installation of a new product. Before removing the existing fitting, carefully note the position of each set of wires.

Note that the switch is turned off before installation.

Ensure that the screws and cable entry points are sealed to maintain the IP rating of the product.

• Cut a mounting hole in the ceiling taking care not to foul any pipes, mains cables or joists beneath the surface.

90957----- Cut hole: \varnothing 105mm / Minimum cavity depth: 63mm

90958----- Cut hole: \varnothing 155mm / Minimum cavity depth: 82mm

90959----- Cut hole: \varnothing 205mm / Minimum cavity depth: 102mm

• It is always recommended to cut the hole slightly smaller than the size specified, and then file the hole until the recessed unit fits snugly.

• Position the LED Driver next to mains outlet that the system will connect to do not connect at this stage.

• Pull the mains wire through the hole to wire as detailed wiring.

• Push the spring clips upwards and fit into the ceiling hole, then push the unit up until firmly in position, ensuring that no cables are trapped. Ensure that the product is sitting properly in the hole.

• Replace fuse or circuit breaker and switch on. Your light is now ready for use.

